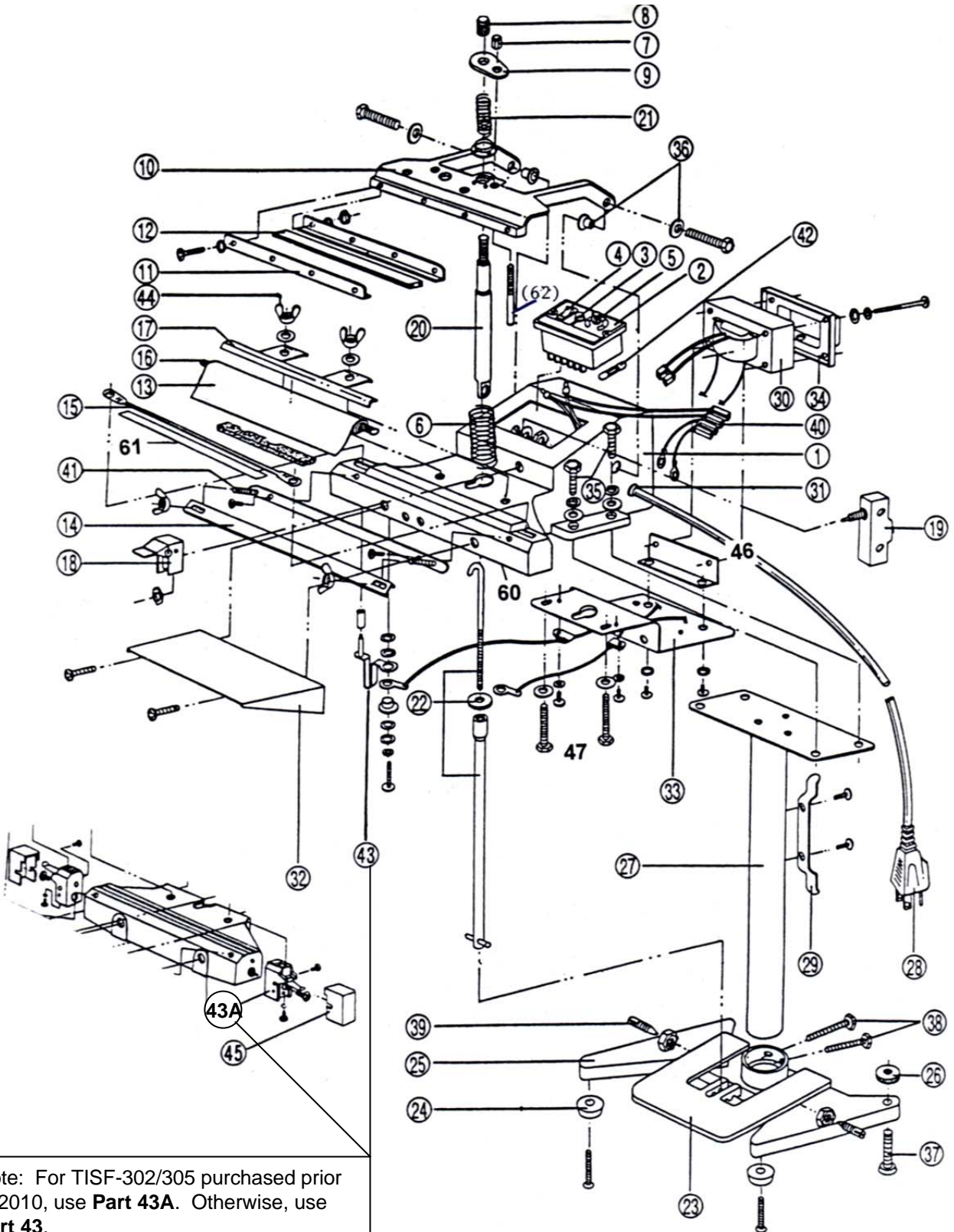


■Foot Sealers (TISF-302, 305, 452, 455, 602, 605)

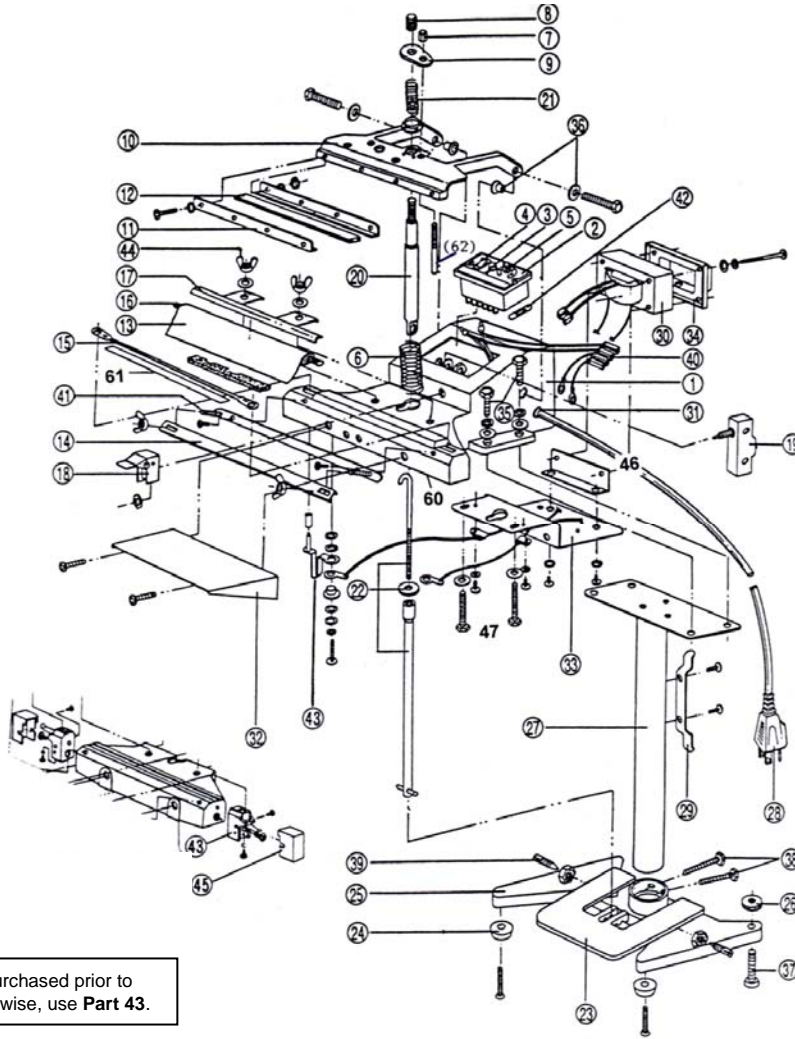
Spare Parts **DIAGRAM**



Note: For TISF-302/305 purchased prior to 2010, use **Part 43A**. Otherwise, use **Part 43**.

Foot Sealers (TISF-302, 305, 452, 455, 602, 605)

Spare Parts DIAGRAM



Note: For TISF-302/305 purchased prior to 2010, use **Part 43A**. Otherwise, use **Part 43**.

No.	Description	No.	Description	No.	Description
1	Skull	20	Up Lever	36	Cu Seat
2	Control Panel, Timer	21	Pressing Spring, Small	37	Level Adjusting for Board
3	Signal Lamp for Sealing	22	Level Set, Pulling Pole Set	38	Fixing for Standing Tube
4	Main Switch, Switch for Source		Upper Pole (Level Set)	39	Adjusting for Foot Board
5	Knob for Timer		Lower Pole (Level Set)	40	Wire Connector, 4P
6	Pressing Spring, Large		Adjusting Nut (level Set)	41	Plate for Teflon Cover Plate
7	Bolt for L.S.	23	Pedal, Foot Board	42	Source Fuse, 10A, 20A
8	Adjusting Bolt for Spring	24	Hoof, Foot Rubber	43	Heater Terminal Assembly
9	Plate	25	Pedal Base, Base	43A	Heater Terminal Assembly (302/305 - pre-2010)
10	Sealing Press Plate, Palate, Upper Jaw	26	Setting Nut for Level of Base	44	Nut
11	Clip for Pressing Lip, SR Holder	27	Standing Tube	45	Heater Terminal Cover, End Cap 302/305
12	Pressing Lip, Silicone Rubber	28	Power Cord, Leading Wire	46	Cover Plate Support
13	Refractory Cloth, Teflon Cover	29	Wire Clip, Holder for Leading Wire	47-59	Direct Heat Sealer
14	Pressing Plate for Teflon (Front)	30	Transformer for Heater (2mm)	60	Lower Jaw
15	Heating Element, (2mm, Round)	31	Bushing	61	Teflon Adhesive
16	Screw for Cloth, Teflon Roller	32	Operating Board, Working Table	62	Pin for Limit Switch (attach to #7)
17	Clip for Cloth, (Rear)	33	Bottom Cover of Skull, Cover Plate		Relay 10A
18	Interlock Set for LS	34	Cover for Transformer		Relay 15A
19	Limit Switch, Microswitch	35	Fixing for Skull		Adjusting Plate for Working Table (not shown)