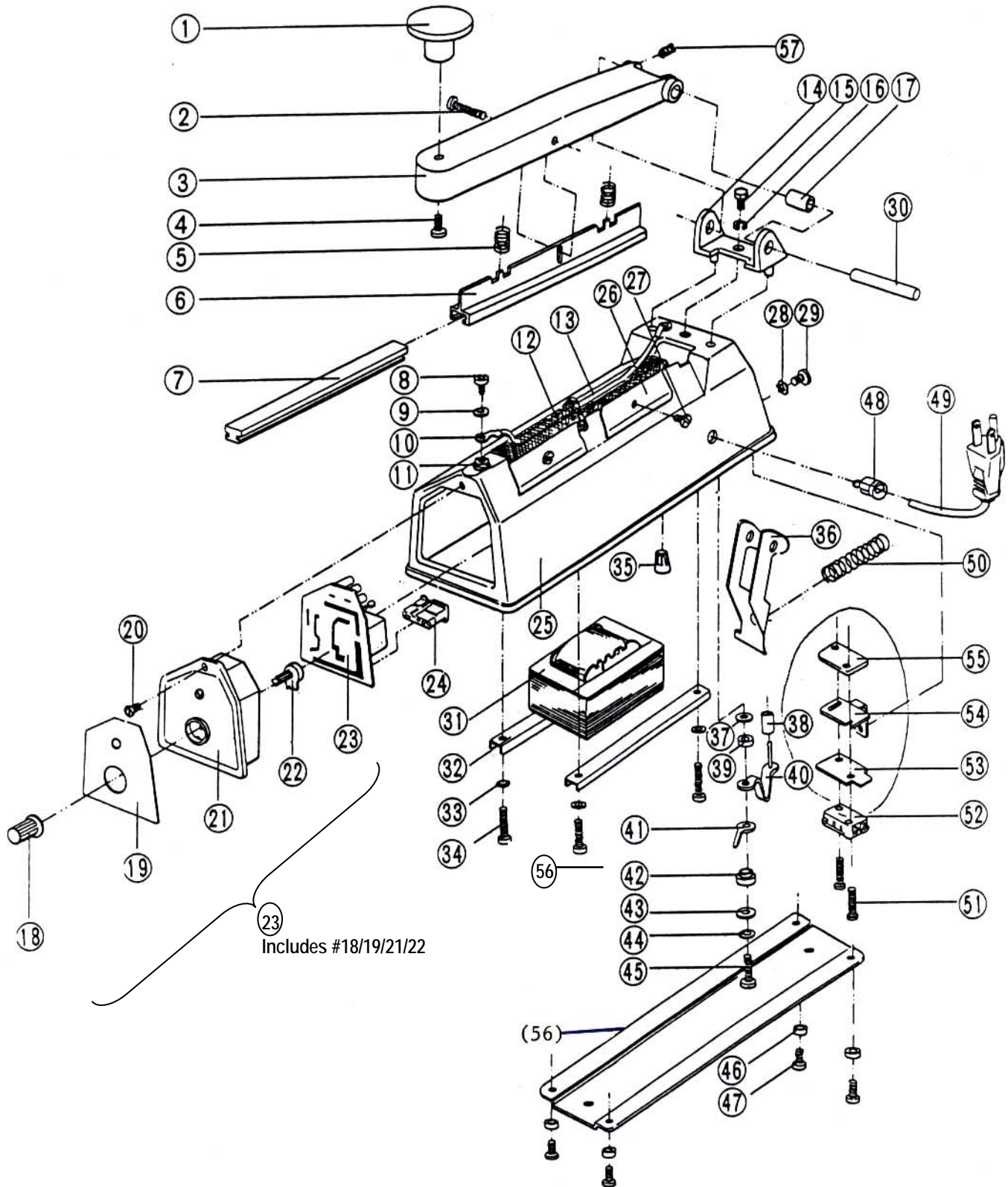


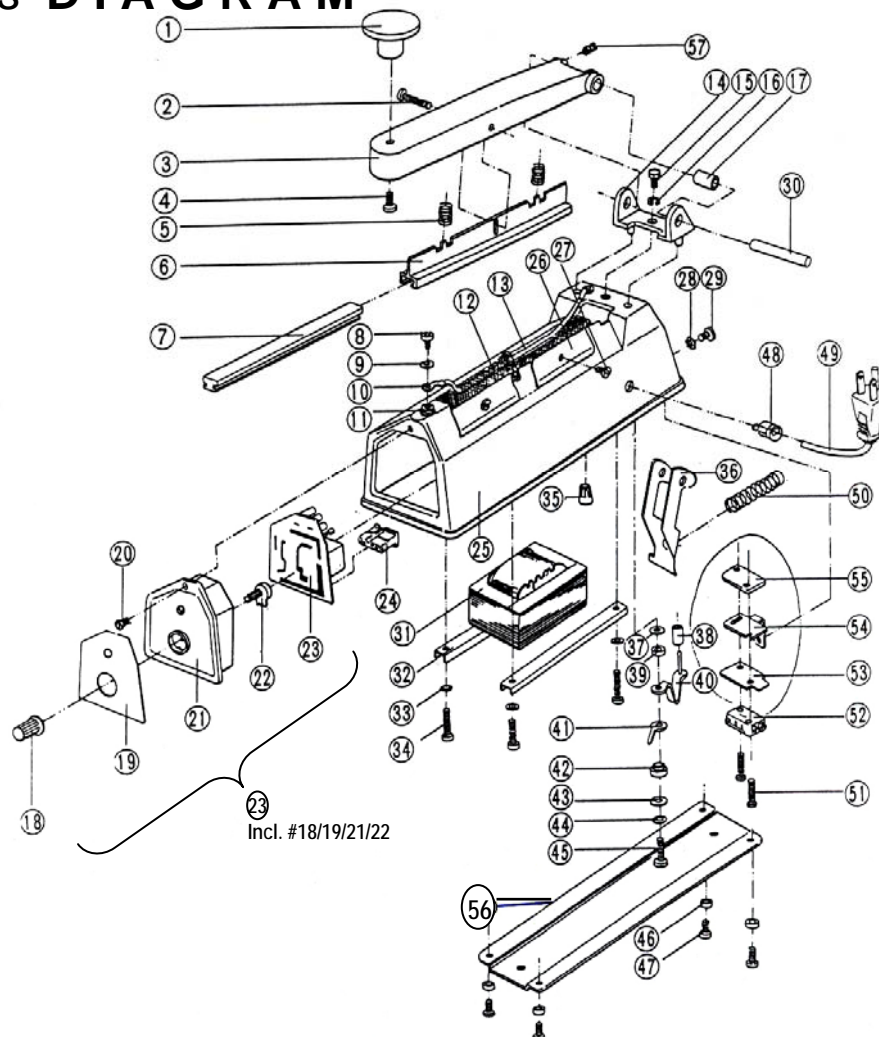
Hand Sealers (TISH-102, 105, 202, 205)

Spare Parts **DIAGRAM**



Hand Sealers (TISH-102,105, 202, 205)

Spare Parts DIAGRAM



No.	Description	No.	Description	No.	Description
1	Handle Button, Pressure Arm Handle (A1)	21	Cover of Timer	41	Brass Contact
2	Screw, Mounting Pivot (A6)	22	Variable Resistor (A19)	42	Convex Bakelite
3	Handle, Pressure Arm (A2)	23	Timer (B13)	43	Washer
4	Screw	24	Connector (B2)	44	Washer
5	Silicon Rubber Holder Spring (A3)	25	Body (A9)	45	Screw
6	Silicon Rubber Holder, Pressure Plate (A4)	26	Teflon Cover Plate (A10)	46	Rubber Foot (B15)
7	Silicon Rubber, Pressure Pad (A5)	27	Screw	47	Screw
8	Screw (TISH-100,200)	28	Washer	48	Bushing, Cable Restraint (B13)
9	Washer (TISH-100,200)	29	Screw	49	Power Cord (B14)
10	Heating Element	30	Fixed Pole of Handle, Hinge Pin (A7)	50	Microswitch Level Spring (B8)
11	Ground Screw (TISH-100,200)	31	Transformer (B3)	51	Screw
12	Teflon Cover, Upper Barrier Tape (A12)	32	Transformer Pressboard	52	Microswitch (B5)
13	Teflon Adhesive, Bottom Barrier Tape (A11)	33	Washer	53	Microswitch Insulating Plate
14	Fixed Seat of Handle, Hinge Bracket (A8)	34	Screw	54	Microswitch Bracket (B6)
15	Hexagon Nut	35	Connector (B4)	55	Ms Fixed Plate (TISH-100,200)
16	Spring Washer (TISH-100,200)	36	Microswitch Level (B9)	56	Bottom Plate, Cover Plate (B12)
17	Fixed Shaft Linear of Handle	37	Washer	57	Setting Screw
18	Time Adjusting Knob (A17)	38	Bakelite Pipe	58	Name Plate (TISH-300,400,500)
19	Time Indicating Plate, Name Plate (A18)	39	Insulating Washer		
20	Screw	40	Bow Spring		