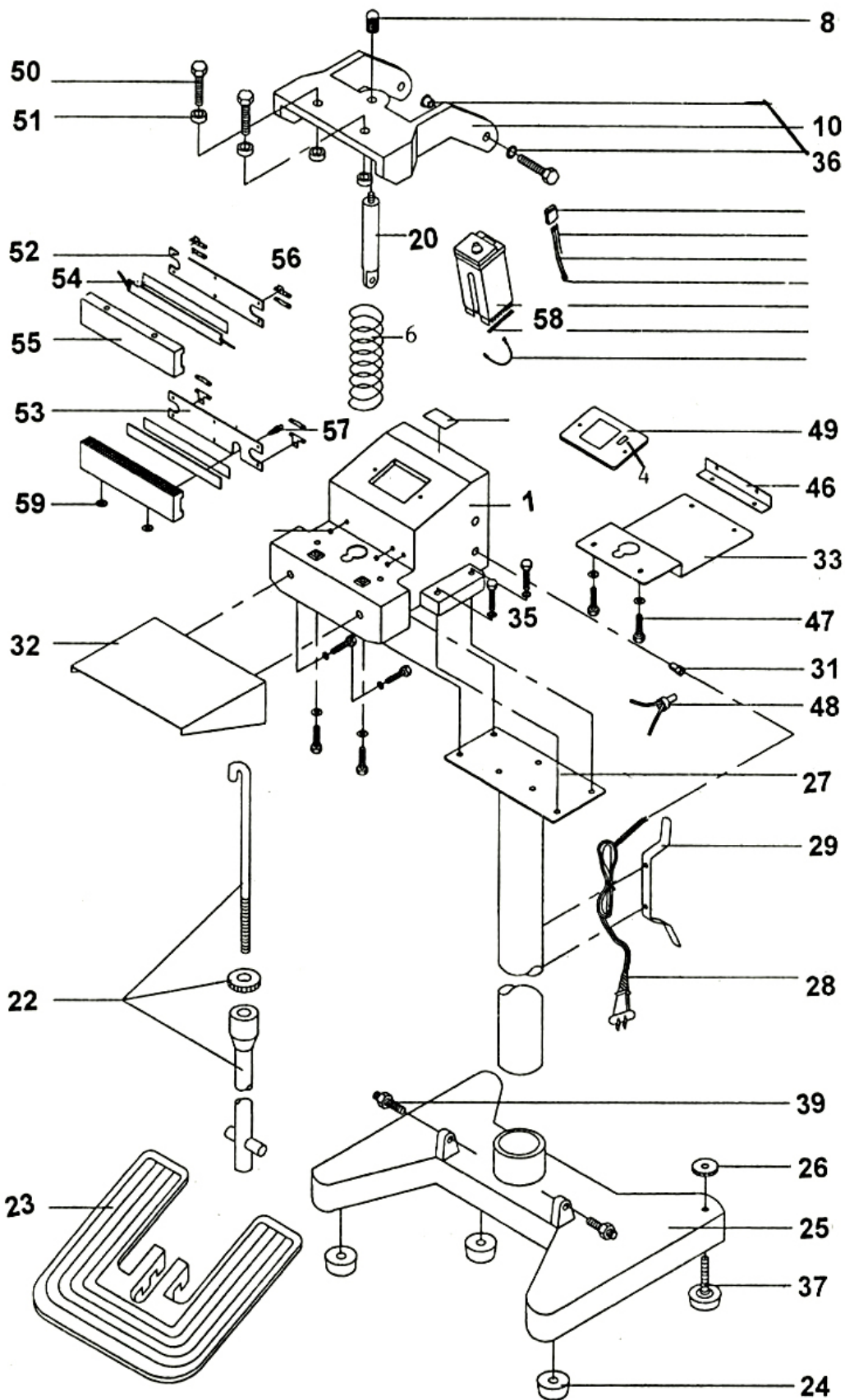


# Direct Heat Sealers (THS-200, 300, 400)

## Spare Parts DIAGRAM

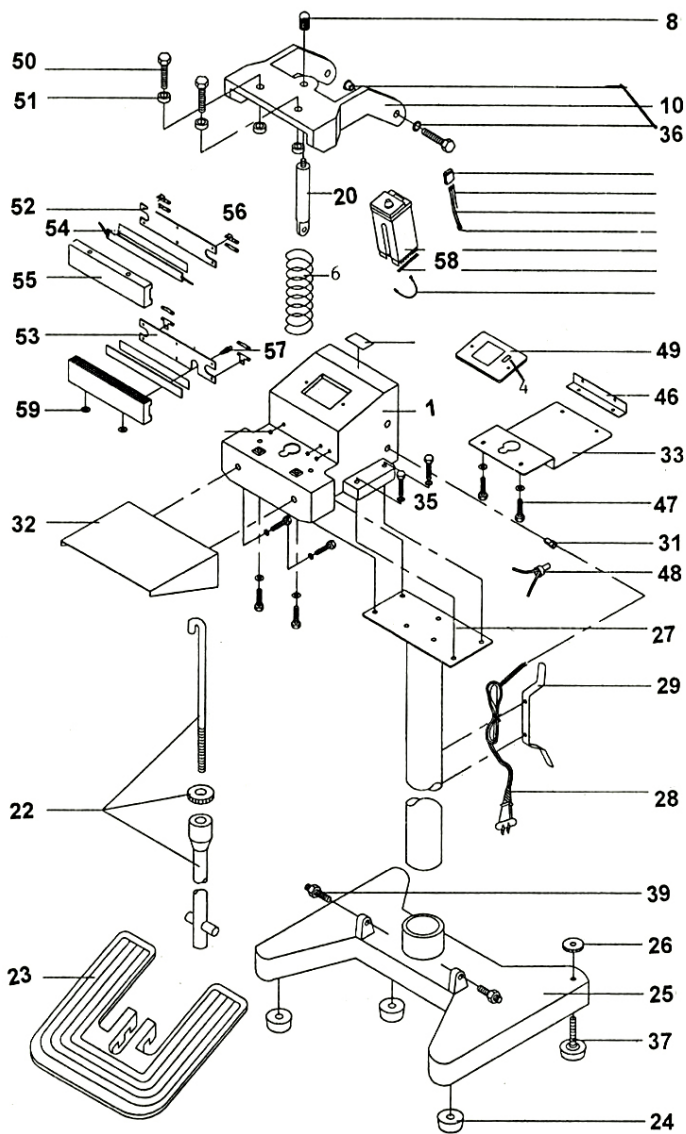


25A –  
Pedal/Foot  
Board  
Complete Set  
Includes: 23,  
24, 25, 26,  
2x38, 2x39

# Direct Heat Sealers (THS-200, 300, 400)

## Spare Parts DIAGRAM

**25A –  
Pedal/Foot  
Board  
Complete Set  
Includes: 23,  
24, 25, 26,  
2x38, 2x39**



No.	Description	No.	Description	No.	Description
1	Skull	32	Operating Board, Working Table	54	Heater
4	Main Switch, Switch for Source	33	Bottom Cover of Skull, Cover Plate	55	Sealing bar
6	Pressing Spring, Large	35	Fixing for Skull	56	Clip for Heating Element
20	Up Lever	36	Cu Seat	57	Thermocouple
21	Pressing Spring, Small	37	Level Adjusting for Board	58	Temperature Controller
22	Level Set, Pulling Pole Set	38	Fixing for Standing Tube		IL-70AD Small
23	Pedal, Foot Board	39	Adjusting for Foot Board		IL-70EN Big, Old
24	Hoof, Foot Rubber	46	Cover Plate Support		IL-80EN, Big, Old
25	Pedal Base, Base	47	Screw	59	Insulator
25A	Pedal/Foot Board Complete Set	48	Connector	60	Lower Jaw
26	Setting Nut for Level of Base	49	Temperature Controller Cover	61	Adjusting Plate for Working Table (not shown)
27	Standing Tube	50	Hex Nut		Upper Pole (Level set)
28	Power Cord, Leading Wire	51	Rubber Washer		Lower Pole (Level Set)
29	Wire Clip, Holder for Leading Wire	52	Sealing Bar Upper Cover Plate		Adjusting Nut (level Set)
31	Bushing	53	Sealing Bar Lower Cover Plate	62	Insulator Tube, White Fiber